

# 1box™ C2030



## TECHNICAL DETAILS

Total power consumed: 24W | 34W\*  
Lumen output 20W: 2090lm W, 2200lm NW, 1970lm WW  
Lumen output 30W: 2810lm W, 3020lm NW, 2650lm WW  
Colour temperature: 6000K W, 4000K NW, 3000K WW  
IP rating: IP54  
CRI: 80+  
Beam angle: 95 degrees  
Dimmable: Yes (for dimming range see our website)  
Power supply: 190-265V input (ML-1BOX2030D)  
Average life: 40,000 hrs\*\*  
Warranty: 4 years (6 years for PLI)  
Diameter 228 mm, Depth 76 mm, Cut-out 185 mm  
Weight: 0.91 kg  
Kit includes: 1 x LED downlight, dimmable driver with flex & plug

\* Total power consumed including driver  
\*\* Life span is calculated on expected average life of driver

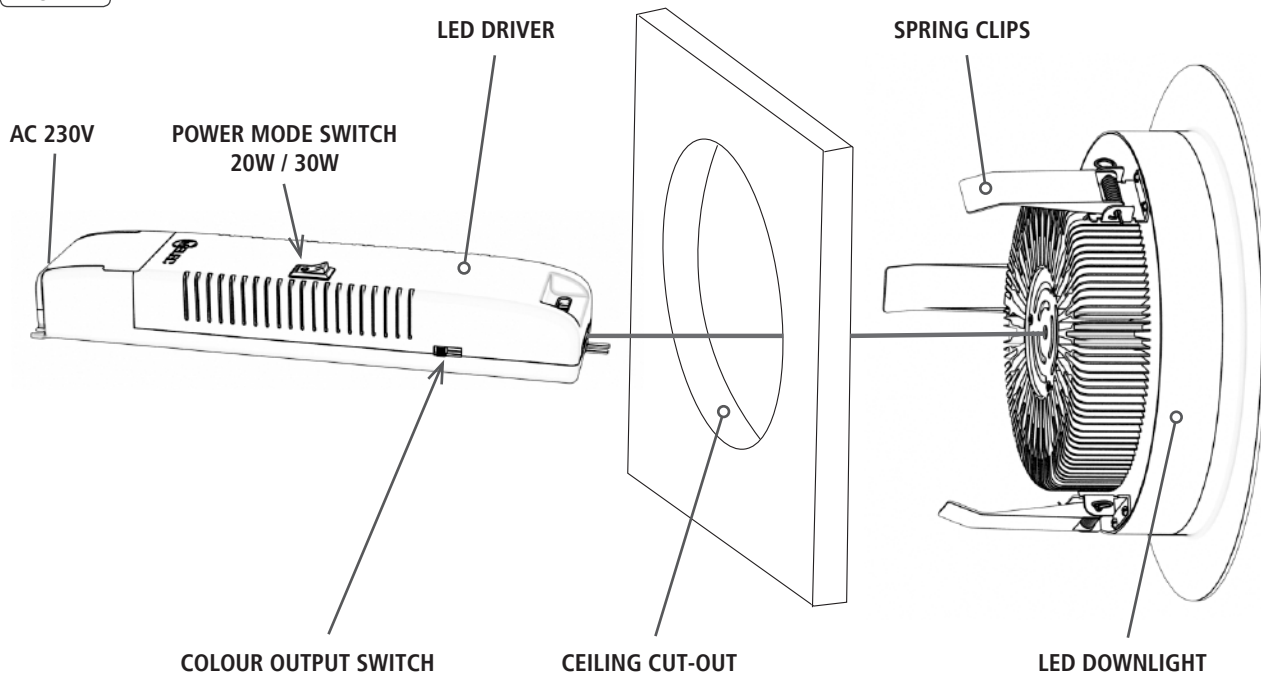
## INCLUDED IN THE BOX

- 1 x LED High powered downlight
- 1 x Dimmable driver
- 1 x Flex & plug

## INSTALLATION INSTRUCTIONS

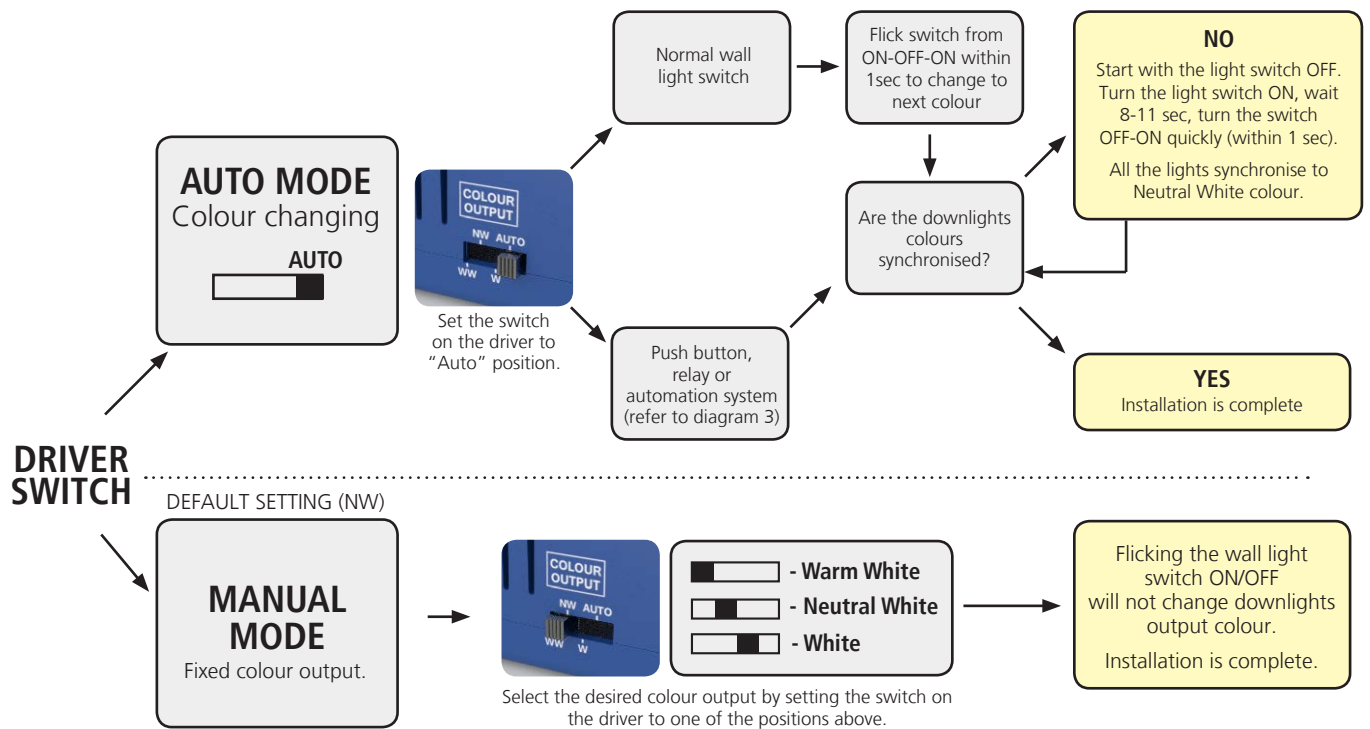
1. Disconnect mains before proceeding,
2. Remove existing downlight and disconnect old transformer OR mark and cut out 185 mm hole in ceiling,
3. Wire up new LED power supply in accordance with marked terminals,
3. Set the switch on the driver to 20W / 30W power mode (refer to diagram 1),
4. Set the switch on the side of the driver to desired setting (refer to diagram 2), default setting is manual mode; Neutral White,
5. Plug-in high powered downlight to the connector from the power supply,
6. TEST to ensure all downlights are producing same output colour if in AUTO mode. If not, follow the "Master reset" steps (see next page)
7. Carefully bend spring clips upwards and install new LED downlight.

diagram 1



## DRIVER FACTORY SETTINGS

diagram 2



## MASTER RESET

If any of the 1boxC2030 downlights are out of synchronisation when on "AUTO" mode (are in different colour output than the rest), please follow the steps below.

1. Start with the light switch OFF.
2. Turn the light switch ON, wait 8-11 sec, then turn the switch OFF-OFF quickly (within 1 sec).
3. All the lights synchronise to Neutral White colour.

## PLEASE NOTE

IF this product is set to **AUTOMATIC** mode and there is inconsistent or fluctuating voltages, the light fitting may change colour. Please see the instructions on how to reset the drivers to factory settings if this occurs. M-Elec will not be held responsible for any variations in voltage or flickering that are on the input side of the drivers. If any of these problems continue to occur we suggest operating the 1BOX in MANUAL mode and contacting your electricity provider.

- MUST BE INSTALLED BY LICENSED ELECTRICIAN
- Do not extend low voltage cables from the output of power supply
- All components must not be mechanically stressed
- Be careful not to damage or destroy conductive paths on the circuit board
- Follow all relevant electrical and safety standards (including AS3000)
- Correct electrical polarity must be observed as the wrong polarity may destroy the product and is not covered under warranty
- Damage by corrosion will not be honoured as a material defect claim. It is the user's responsibility to provide suitable protection against corrosive agents such as moisture, condensation and other harmful elements.
- This product has full compliance with the IC-F rating. M-Elec still recommends that an air gap is left around driver + light to ensure the maximum life span of the product is achieved. Please request test report for more details on IC-F.
- For further information including photometrics & dimming range, please visit [www.melec.com.au](http://www.melec.com.au)

For further information including photometrics & dimming range, please visit [www.melec.com.au](http://www.melec.com.au)

