

# ALBATROSS



## Albatross DC 2100mm (84")



**MAFMWR + MAF210W**  
Motor kit + Blade Set



**MAFMBR + MAF210B**  
Motor kit + Blade Set

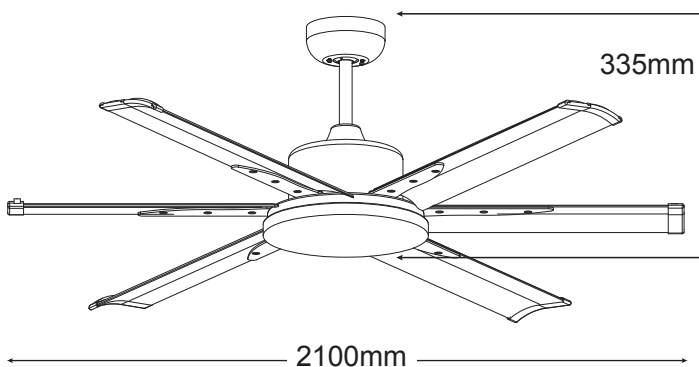


**MAFMMR + MAF210M**  
Motor kit + Blade Set

### FEATURES

- /// 3 year in-home warranty
- /// Includes 5 speed remote control
- /// Energy efficient and powerful 35W DC motor
- /// Brushless quiet DC motor
- /// Summer/Winter reverse button on the remote
- /// Fully reversible for summer & winter
- /// Up to 8hr fan timer
- /// Hangsure angle canopy
- /// 17° blade pitch
- /// Blades sold seperately
- /// Electronically factory balanced blades
- /// Aluminium blades

### DIAGRAMS



	FORWARD/REVERSE				
SPEED	1	2	3	4	5
CURRENT	0.252A	0.19A	0.153A	0.125A	0.106A
POWER	33w	22w	16w	10w	6w