

# VANTAGE

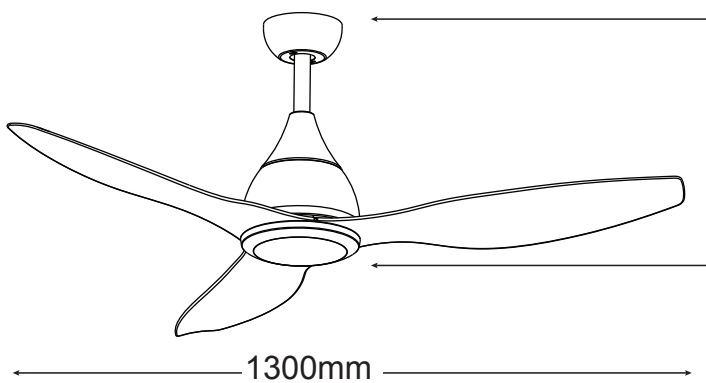
## Vantage 1300mm (52")



### FEATURES

- /// 3 year In Home warranty
- /// Brushless quiet DC motor
- /// Includes 5 speed remote control
- /// Fully reversible for summer & winter
- /// Electronically factory balanced blades
- /// 3 ABS blades
- /// 1300mm (52") blade diameter
- /// Hangsure angle canopy
- /// 11.5° blade pitch

### DIAGRAMS



MVF133BBR



MVF133BSR



MVF133MBR



MVF133MMR



MVF133OMR



MVF133WWR



### FORWARD/REVERSE

SPEED	1	2	3	4	5
CURRENT	0.23A	0.16A	0.12A	0.08A	0.053A
POWER	36w	23w	16.3w	9.8w	5.2w