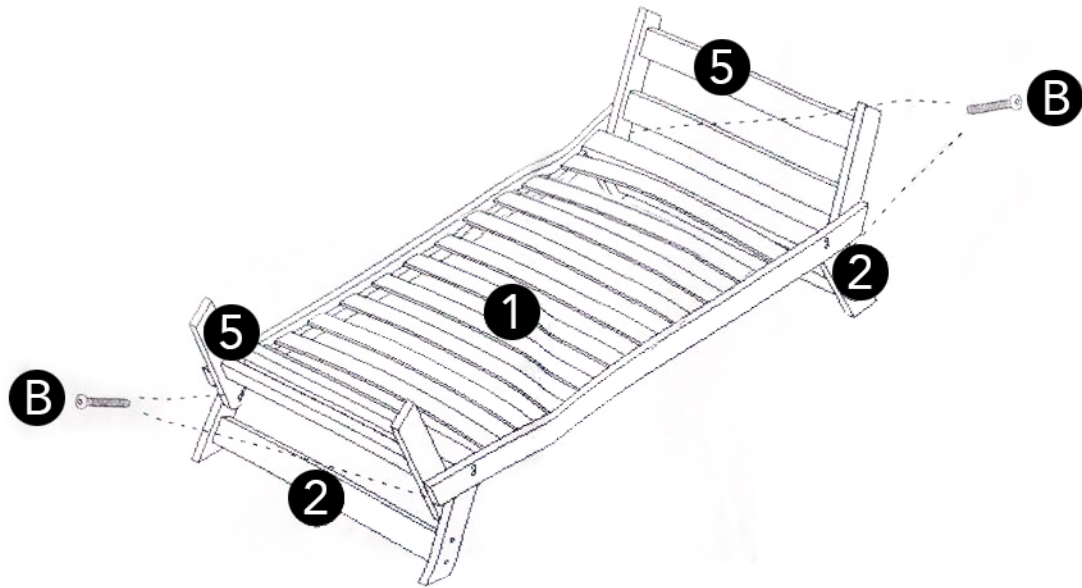
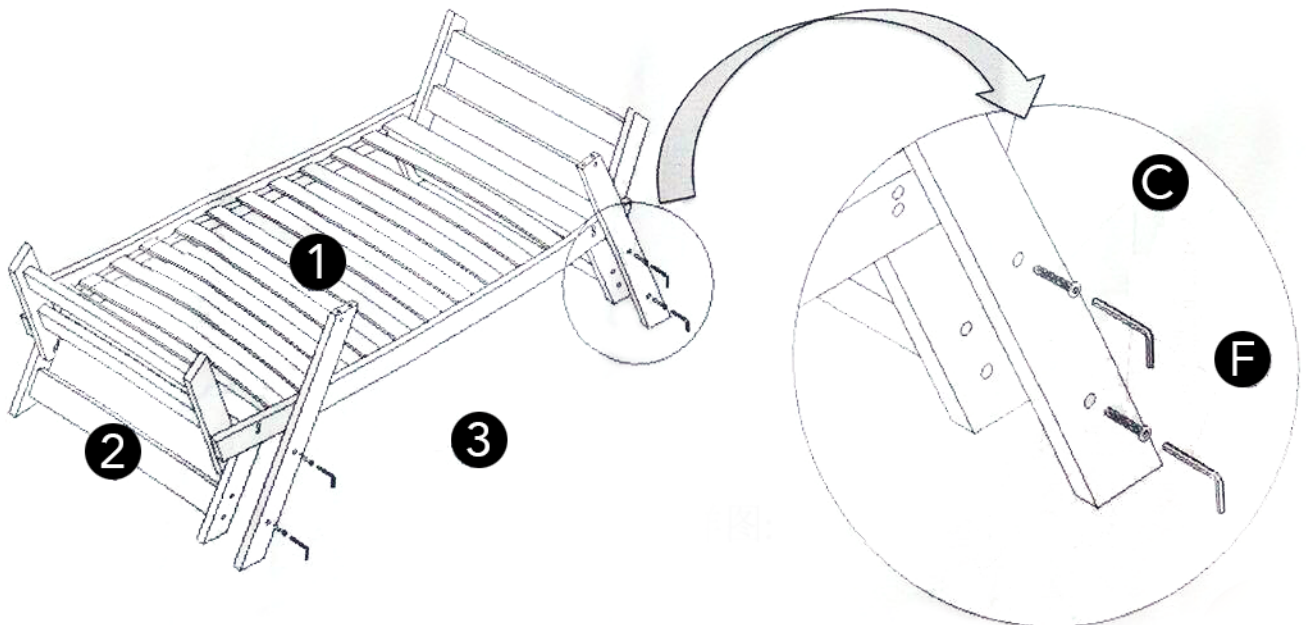


Installation Steps:

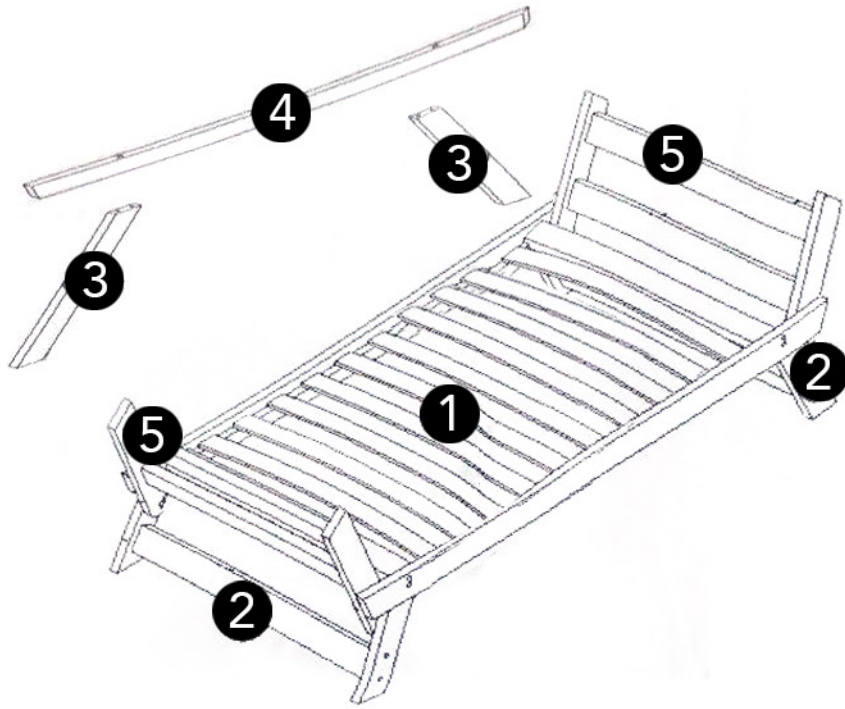
1. Place 5 on each side of the sofa base frame and use 4 x 4.5 cm screw B to attach the arms of the sofa bed.



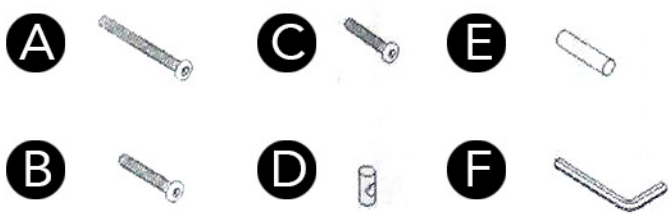
2. Use 3.5 cm screw C to attach 2 x vertical back support poles 3 onto the sofa legs.



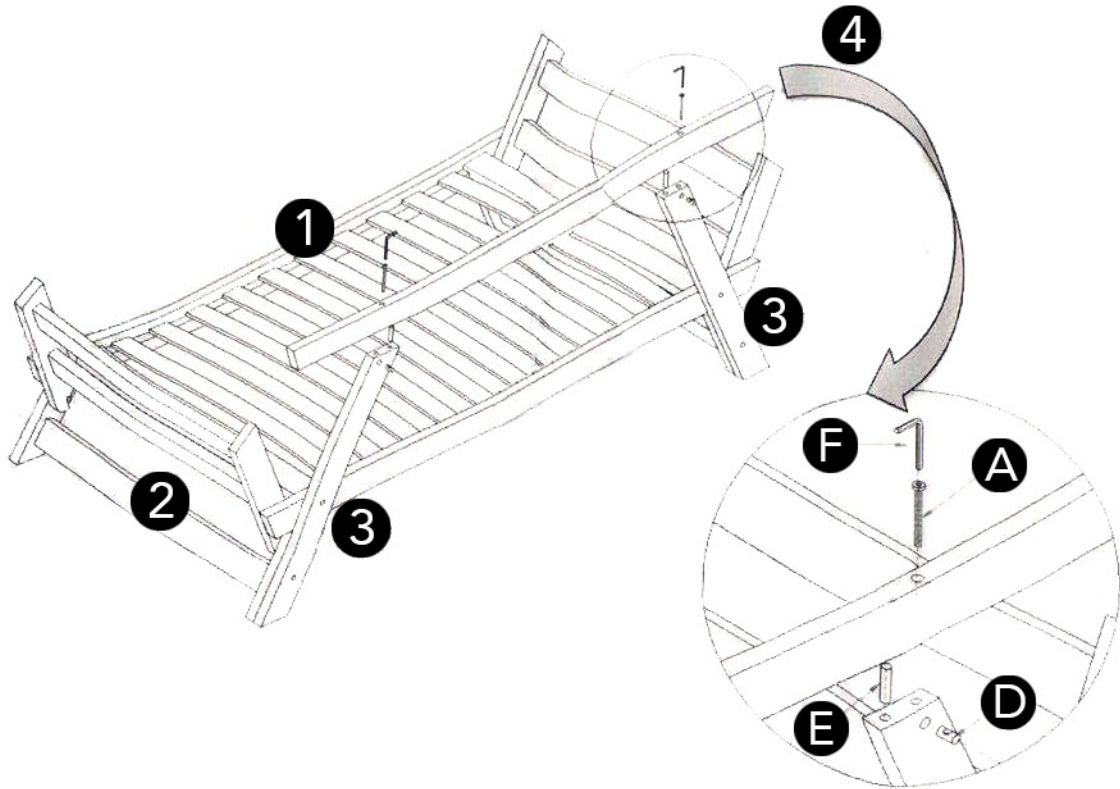
- 1 Basement frame x 1 2 Sofa legs x 2 3 Vertical Back Support Poles x 2
- 4 Horizontal back support beam x 1 5 Side arms x 2



- A 7 cm long screw x 2 B 4.5 cm long screw x 4 C 3.5 cm long screw x 4
- D Internal screw holder x 2 E Timber chips x 2 F Allen key



3. Place the internal screw holder E into the pre-cut hole on each of the vertical back support poles. And then insert the Timber chips E into one of the 2 x pre cut holes on each top of the vertical back support poles 3. Then attach the horizontal back support beam 4 on top of the 3 and lock it with 2 x 7 cm long screw A.



4. Waiting for translations

